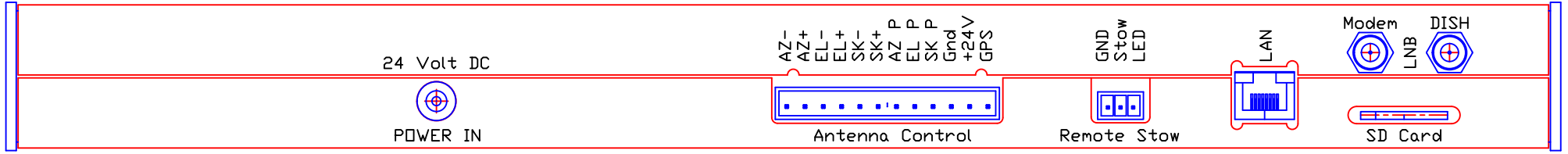
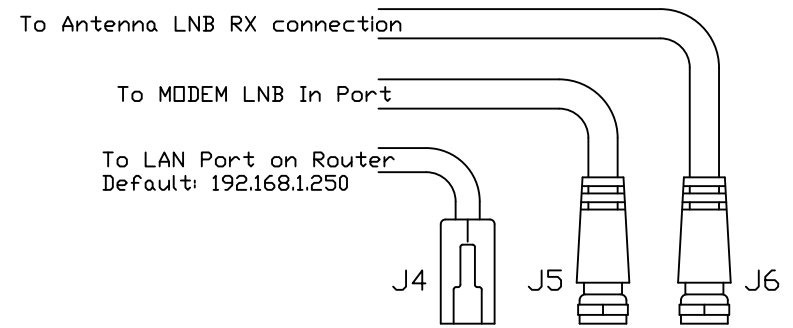


Antenna Controller ACU-2 and ACU-3 Models Wiring Configuration



24 Volt 10 Amp DC Power Supply
Mean Well GST280A24 or equiv
UL CE CCC

Antenna Control Cable to Dish/Mount
Alpha Wire 1181C or equiv

- J1 - Power Plug 2.5 x 5.5 mm
- J2 - 12 POS Terminal Plug 5.08mm Molex 039500012 or equiv
- J3 - 3 Pos Terminal Plug 3.81mm Molex 0395105003 or equiv
- J4 - Cat5E RJ45 Ethernet Cable (length as required)
- J5 - RG6 3GHz Tested Center Solid Bare Copper w/ F Type Connector (length as required)
- J6 - RG6 3GHz Tested Center Solid Bare Copper w/ F Type Connector (length as required)

